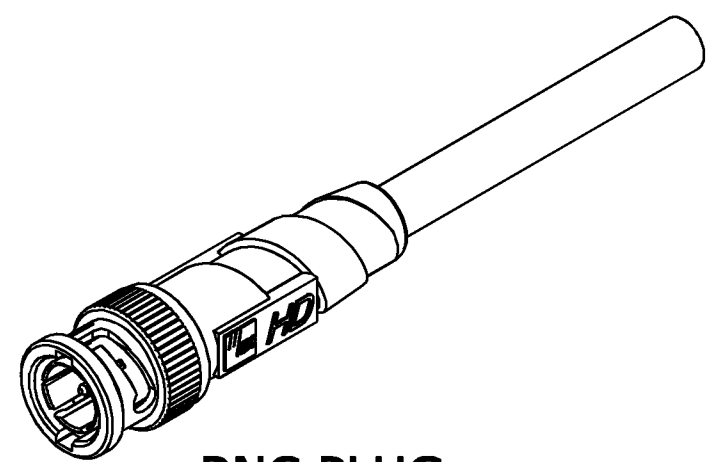
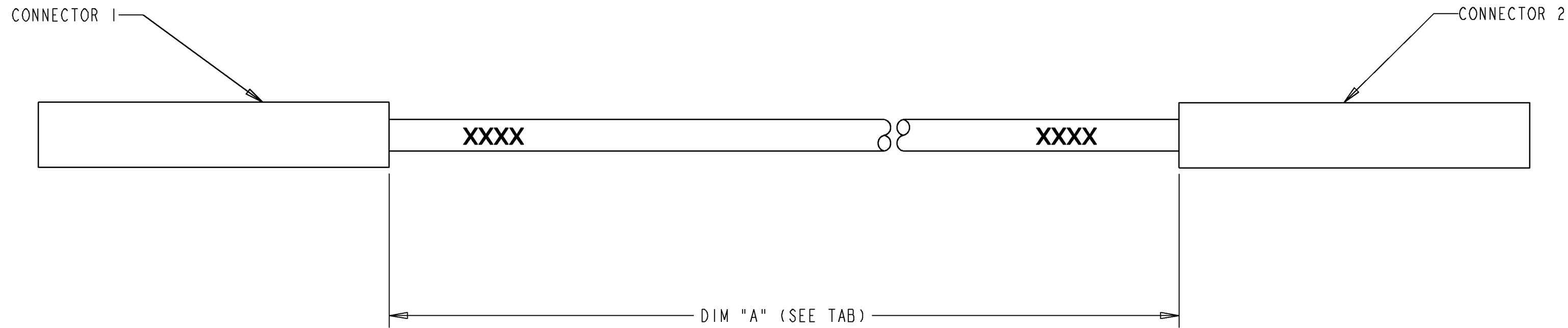
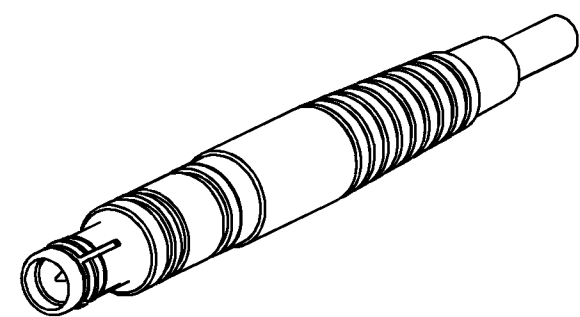


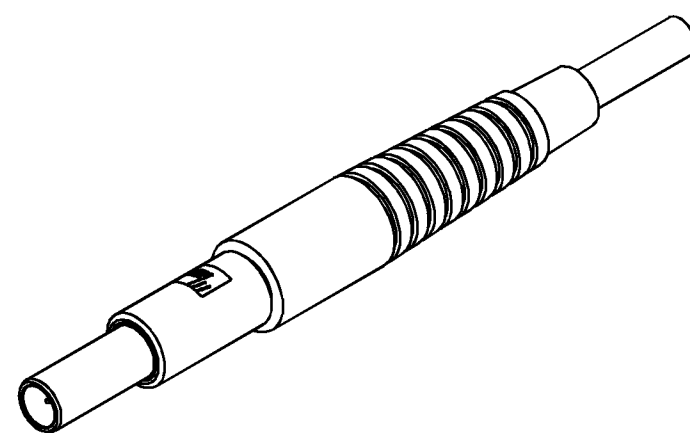
REV	MCO	DWN	DATE
E	20235101	RCTV	04-MAR-08
F	20246140	RD	07-AUG-08



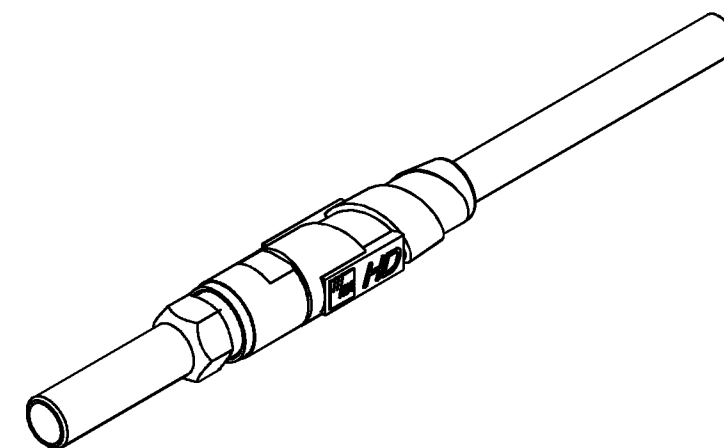
**BNC PLUG**  
FIGURE 1



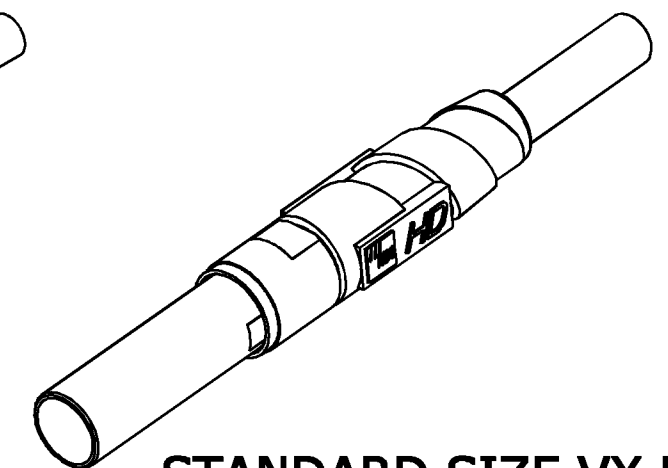
**LCC PLUG**  
FIGURE 2



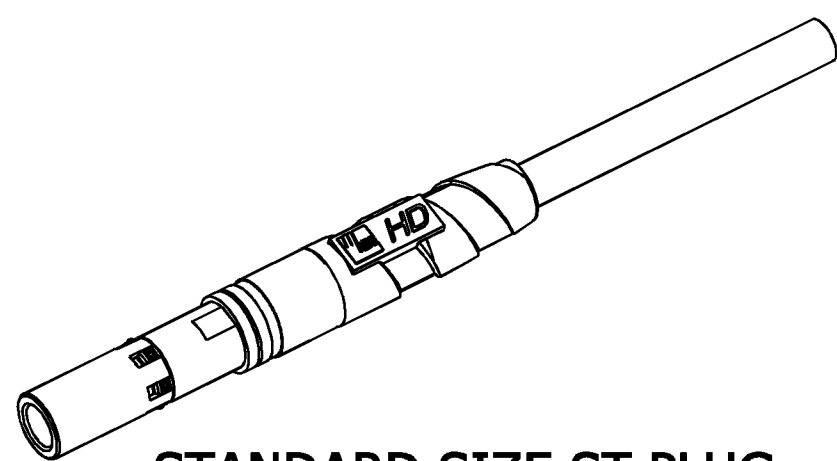
**LCP PLUG**  
FIGURE 3



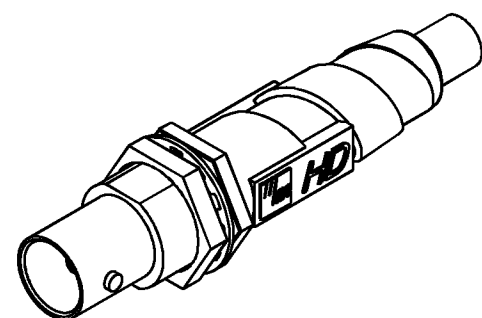
**MID SIZE PLUG**  
FIGURE 4



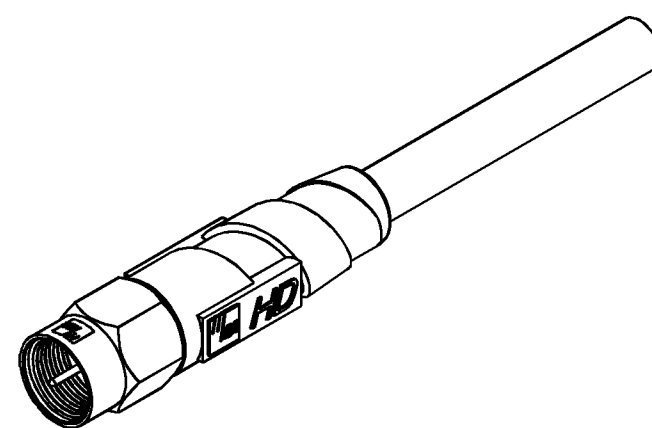
**STANDARD SIZE VX PLUG**  
FIGURE 5



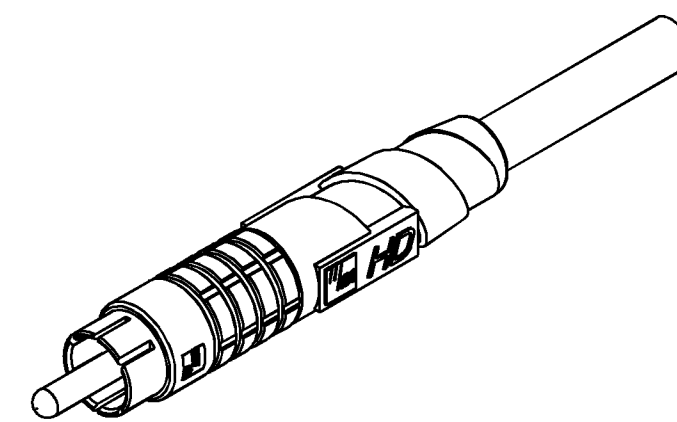
**STANDARD SIZE ST PLUG**  
FIGURE 6



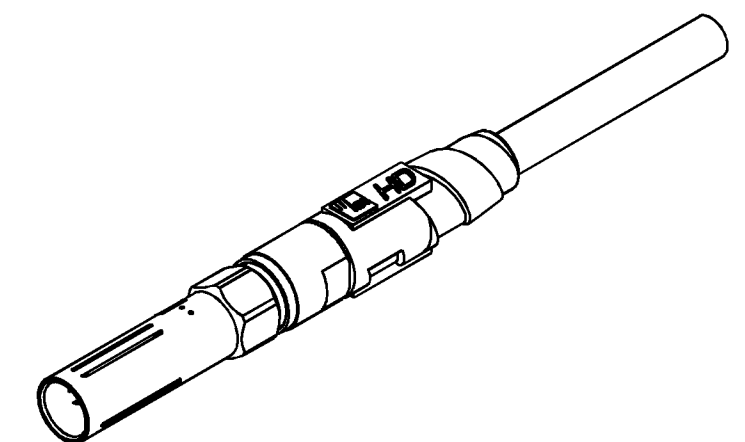
**BHJ**  
FIGURE 7



**F PLUG**  
FIGURE 8



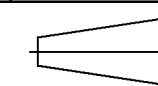
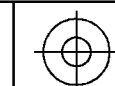
**RCA PLUG**  
FIGURE 9



**MUSA PLUG**  
FIGURE 10



INFORMATION ON THIS DOCUMENT IS PROPRIETARY TO ADC AND SHALL NOT BE USED, COPIED, REPRODUCED, OR DISCLOSED IN WHOLE OR IN PART WITHOUT WRITTEN CONSENT OF ADC.	TITLE STD, MID, BNC, MUSA, F, RCA, ST CPT-75, LCC/LCP INSTALLATION DRAWING	
	ALL DIMS AND TOLERANCES ARE INCHES UNLESS OTHERWISE SPECIFIED	.XX:±N/A .XXX:±N/A ANGULAR:±N/A
DO NOT SCALE DRAWING	ENGR: ROBERTO TORRES DWN: DANIEL HERRERA	SHT. 1 OF 2



**DIMENSIONS IN INCHES  
THIRD ANGLE PROJECTION**

# RG59 PATCHCORD MATRIX

CONNECTOR 1										CONNECTOR 2	
BNC (FIG 1)	LCC (FIG 2)	LCP (FIG 3)	MID-SIZE (FIG 4)	VX PLUG (FIG 5)	ST PLUG (FIG 6)	BHJ (FIG 7)	F (FIG 8)	RCA (FIG 9)	MUSA (FIG 10)		
<b>CX</b> VX-B/B	<b>CX</b> VX-LCC/B	—	<b>CX</b> V-STM-B	<b>CX</b> VX-B	<b>CX</b> V-ST-S-B	—	<b>CX</b> VX-F-B	—	<b>CY</b> V-MU-B		BNC (FIG 1)
	<b>CX</b> VX-LCC/LCC	—	—	—	—	—	—	—	—		LCC (FIG 2)
		<b>CX</b> VX-LCP-LCP	—	—	—	—	—	—	—		LCP (FIG 3)
			<b>CX</b> V-STM	<b>CX</b> V-M-S	—	—	—	—	—		MID-SIZE (FIG 4)
				<b>CX</b> VX	—	—	<b>CX</b> VX-F	<b>CX</b> VX-RCA	—		VX PLUG (FIG 5)
					<b>CX</b> V-ST-S	—	<b>CX</b> VX-F-ST-S	—	<b>CY</b> V-MU-ST-S		ST PLUG (FIG 6)
						<b>CX</b> VX-BHJ-BHJ	<b>CX</b> VX-F-BHJ	—	—		BHJ (FIG 7)
							<b>CX</b> VX-F-F	—	<b>CY</b> V-MU-F		F (FIG 8)
								<b>CX</b> VX-RCA-RCA	—	RCA (FIG 9)	
									<b>CY</b> V-MU	MUSA (FIG 10)	

**NOTE:**  
PATCHCORD CONNECTORS ARE ALL PLUGS.

PATCHCORD CABLE COLOR			
CODE	ABBREVIATION	COLOR	CODE
C		BLACK	BK
C		BLUE	B
C		GREEN	G
C		RED	R
C		VIOLET	V
C		WHITE	W
C		ORANGE	O

PATCHCORD CABLE LENGTH "A"					
CODE	ABBREVIATION	LENGTH INCREMENT	CODE	FEET	MM
X		FEET	1	1	300
X		FEET	2	2	600
X		FEET	3	3	900
X		FEET	4	4	1200
X		FEET	6	6	1800
X		FEET	OTHER	NON-STANDARD	
Y		MILLIMETERS	300	1	300
Y		MILLIMETERS	600	2	600
Y		MILLIMETERS	900	3	900
Y		MILLIMETERS	1200	4	1200
Y		MILLIMETERS	1800	6	1800
Y		MILLIMETERS	OTHER	NON-STANDARD	

## MINI-RG59 PATCHCORD MATRIX

CONNECTOR 1				CONNECTOR 2
BNC (FIG 1)	LCC (FIG 2)	LCP (FIG 3)		
<b>CX</b> VXM-B-B	<b>CX</b> VXM-LCC-B	<b>CX</b> VXM-LCP-B	BNC (FIG 1)	
	<b>CX</b> VXM-LCC-LCC	—	LCC (FIG 2)	
		<b>CX</b> VXM-LCP-LCP	LCP (FIG 3)	

75 OHM PATCHCORD CABLE TYPES AVAILABLE PER CONNECTOR TYPE

**FLEXIBLE HIGH PERFORMANCE DIGITAL RG 59:** BNC, MID-SIZE, STD-SIZE, STD-SIZE HD, F, RCA, MUSA, LCC

**MINI-RG59 CABLE:** BNC, LCC, LCP

EXAMPLES: 2 FOOT BLACK PATCHCORD WITH BNC AND STANDARD SIZE HD CONNECTORS => BK2V-ST-S-B

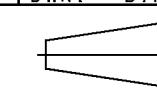
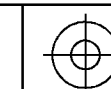
6 FOOT (APPROXIMATELY 1800MM) RED PATCHCORD WITH MUSA AND F CONNECTORS => R1800V-MU-F

4 FOOT GREEN MINI-RG59 PATCHCORD WITH BNC AND LCC CONNECTORS=> G4VXM-LCC-B

**CUSTOMER ALERT:** CUSTOM PATCHCORDS MAY REQUIRE LONGER LEAD TIME AND MINIMUM ORDER QUANTITY. CONTACT ADC FOR DETAILS.



INFORMATION ON THIS DOCUMENT IS PROPRIETARY TO ADC AND SHALL NOT BE USED, COPIED, REPRODUCED, OR DISCLOSED IN WHOLE OR IN PART WITHOUT WRITTEN CONSENT OF ADC.	TITLE STD, MID, BNC, MUSA, F, RCA, ST CPT-75, LCC/LCP INSTALLATION DRAWING
ALL DIMS AND TOLERANCES .XX:±N/A ARE INCHES UNLESS .XXX:±N/A OTHERWISE SPECIFIED ANGULAR:±N/A	DRAWING NUMBER 1386569
DO NOT SCALE DRAWING	ENGR: ROBERTO TORRES DWN: DANIEL HERRERA
SHT. 2 OF 2	F REV



**DIMENSIONS IN INCHES  
THIRD ANGLE PROJECTION**